

SUMEC

Phono[®] Solar AUSTRALIA

15 DIAMOND YEAR DEALER PRODUCT WARRANTY

330W

HIGH PERFORMANCE POLYCRYSTALLINE MODULE

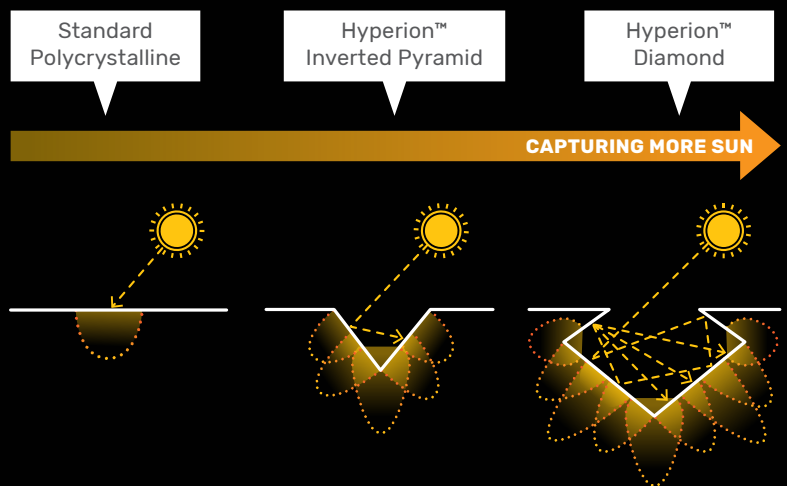
HYPERION™ DIAMOND

Hyperion Diamond Cells absorb more sunlight!



4 C'S OF HYPERION DIAMOND TECHNOLOGY

- 1. CELL** - Hyperion™ Nano Structure Rebuilding (NSR) Technology
- 2. CUT** - Latest diamond cell cutting technology
- 3. COLOUR** - Consistent dark blue cell colouration
- 4. CONSISTENCY** - Hyperion™ manufactured in Phono Solar's own 2.5GW cell facility



SUMEC Phono[®] Solar AUSTRALIA



SUMEC PHONO SOLAR AUSTRALIA
Level 35, Tower One, 100 Barangaroo Ave, Sydney, AUSTRALIA
TEL: 02 8114 4516 www.phonosolar.com.au

PHONO SOLAR INTERNATIONAL (SUMEC)
No. 1 Xinghuo Rd., Nanjing Hi-tech Zone, Nanjing, CHINA
www.phonosolar.com

- 15-year product warranty
 - 25-year linear performance warranty to 80.7%
1. In compliance with our warranty terms and conditions.

NOTE: This datasheet is not legally binding. Phono Solar reserves the right to make specifications changes without notice. Further information can be found on our website: www.phonosolar.com

Hyperion™ Diamond Module

ELECTRICAL TYPICAL VALUES

Model	PS330P-24/T PS330PH-24/T
Type	72 x Polycrystalline, 6 inch x 6 inch cells
Rated Power (Pmpp) ²	330W
Tolerance	0~+5
Rated Current (Impp)	8.57
Rated Voltage (Vmpp)	38.51
Short Circuit Current (Isc)	9.15
Open Circuit Voltage (Voc)	46.74
Module Efficiency (%)	17.01
NOCT (Nominal Operating Cell Temperature)	45°C ± 2°C
Voltage Temperature Coefficient	-0.33%/°C
Current Temperature Coefficient	+0.05%/°C
Power Temperature Coefficient	-0.41%/°C

MECHANICAL CHARACTERISTICS

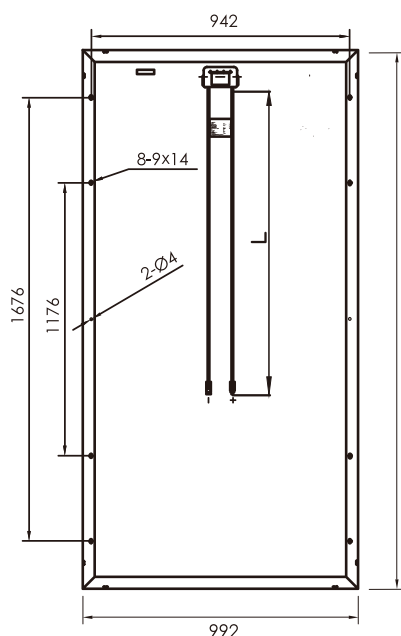
Dimensions	Length: 1956mm, Width: 992mm Height: 40mm
Weight	22.5kg
Front Glass	3.2mm toughened glass
Frame	Anodized aluminium alloy
Cable	4mm ² (IEC), 1160mm
Junction Box	IP 68 rated
Connectors	MC4 (1000Vdc) / EVO2 (1500Vdc)

PACKING CONFIGURATION

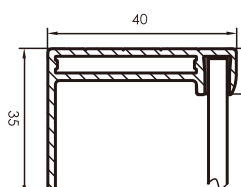
Container	20'GP	40' HQ
Pieces per container	230	672

ABSOLUTE MAXIMUM RATING

Parameter	Values
Operating Temperature	From -40 to +85°C
Hail Diameter @ 80km/h	Up to 25mm
Surface Maximum Load Capacity	Up to 5400Pa
Maximum Series Fuse Rating	20A
Application Class & Safety Class	II
Fire Rating (IEC61730)	C
Module Fire Performance (UL1703)	Type 1
Maximum System Voltage	DC 1000V/1500V (IEC/ETL)



2. Measurement conditions under irradiance level of Standard Test Conditions (STC): Rated Power (Pmpp), 1000W/m², Air mass 1.5 Spectrum, cell temperature of 25°C.



Note: mm

WEAK LIGHT PERFORMANCE

