



KuDymond

CS3K-275 | 280 | 285P-FG (IEC1000V)

CS3K-275 | 280 | 285P-FG (IEC1500V)

Canadian Solar's KuDymond CS3K-P-FG module is a high power double-glass module with poly cell technology and the industry leading innovative LIC (Low Internal Current) module technology.

The KuDymond poly modules can reach up to 285 W with the following unique features:

- **Higher** power classes for equivalent module sizes
- **High** module efficiency up to 17.15 %
- **LOW** hot spot temperature risk
- **LOW** temperature coefficient (Pmax): -0.38 % / °C
- **LOW NMOT** (Nominal Module Operating Temperature): 42 ± 3 °C



Low NMOT: 42 ± 3 °C
Low temperature coefficient (Pmax): -0.38 % / °C



Lower hot spot temperature



Minimizes micro-cracks and prevents snail trails



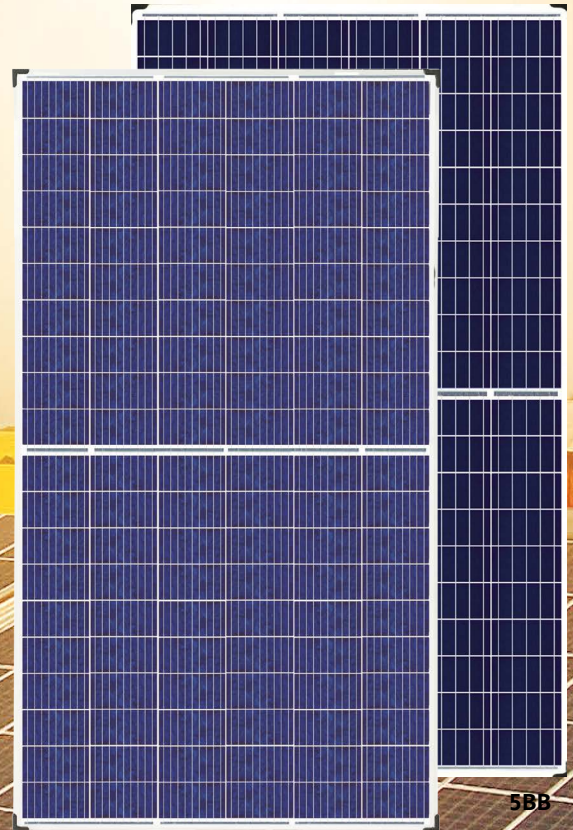
Heavy snow load up to 5400 Pa, wind load up to 2400 Pa



Fire Class A and Type 3 / Type 13 certified according to IEC 61730-2 / MST 23 and UL 1703



Low BoS cost with 1500 VDC system voltage



*Transparent doubleglass module can be provided upon request.



linear power output warranty



product warranty on materials and workmanship

PRODUCT CERTIFICATES*

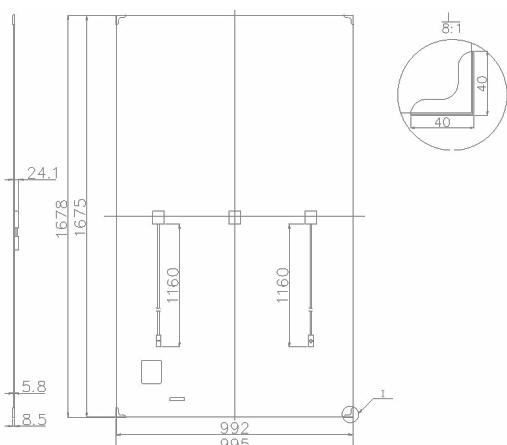
IEC 61215 / IEC 61730: VDE / CE



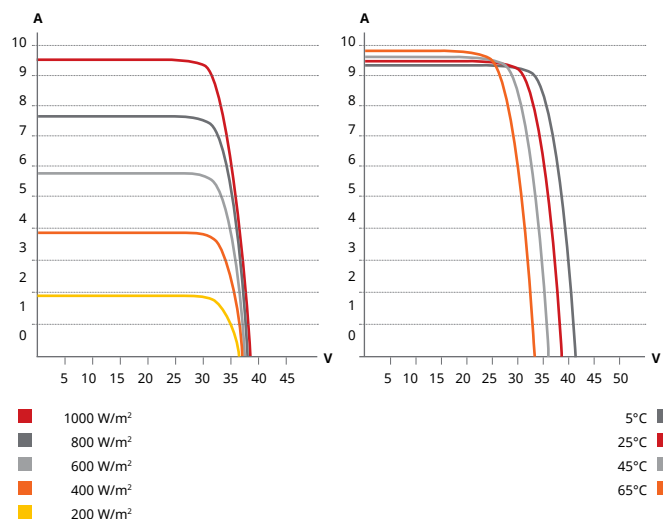
* If you need specific product certificates, and if module installations are to deviate from our guidance specified in our installation manual, please contact your local Canadian Solar sales and technical representatives.

ENGINEERING DRAWING (mm)

Rear View



CS3K-280P-FG / I-V CURVES



ELECTRICAL DATA | STC*

CS3K	275P-FG	280P-FG	285P-FG
Nominal Max. Power (Pmax)	275 W	280 W	285 W
Opt. Operating Voltage (Vmp)	31.0 V	31.2 V	31.4 V
Opt. Operating Current (Imp)	8.88 A	8.98 A	9.08 A
Open Circuit Voltage (Voc)	37.7 V	37.9 V	38.1 V
Short Circuit Current (Isc)	9.38 A	9.47 A	9.56 A
Module Efficiency	16.55%	16.85%	17.15%
Operating Temperature	-40°C ~ +85°C		
Max. System Voltage	1500V (IEC) or 1000V (IEC/UL)		
Module Fire Performance	TYPE 3 / Type 13 (UL 1703) or CLASS A (IEC61730)		
Max. Series Fuse Rating	30 A		
Application Classification	Class A		
Power Tolerance	0 ~ + 5 W		

* Under Standard Test Conditions (STC) of irradiance of 1000 W/m², spectrum AM 1.5 and cell temperature of 25°C. Measurement uncertainty: ±3 % (Pmax).

ELECTRICAL DATA | NMOT*

CS3K	275P-FG	280P-FG	285P-FG
Nominal Max. Power (Pmax)	204 W	208 W	211 W
Opt. Operating Voltage (Vmp)	28.6 V	28.8 V	29.0 V
Opt. Operating Current (Imp)	7.12 A	7.21 A	7.29 A
Open Circuit Voltage (Voc)	35.2 V	35.4 V	35.6 V
Short Circuit Current (Isc)	7.57 A	7.64 A	7.71 A

* Under Nominal Module Operating Temperature (NMOT), irradiance of 800 W/m² spectrum AM 1.5, ambient temperature 20°C, wind speed 1 m/s.

MECHANICAL DATA

Specification	Data
Cell Type	Poly-crystalline, 156.75 X 78.38 mm
Cell Arrangement	120 [2 x (10 x 6)]
Dimensions	1675 X 992 X 5.8 mm (65.9 X 39.1 X 0.23 in) without J-Box and corner protector
(Incl. corner protector)	1678 X 995 X 8.5 mm (66.1 X 39.2 X 0.33 in) without J-Box
Weight	24 kg (52.9 lbs)
Front / Back Glass	2.5 mm heat strengthened glass
Frame	Frameless
J-Box	IP68, 3 diodes
Cable	4.0 mm ² (IEC), 12 AWG (UL), 1160 mm (45.7 in)
Connector	T4 series (MC4 series is available)
Per Pallet	33 pieces
Per Container (40' HQ)	858 pieces

TEMPERATURE CHARACTERISTICS

Specification	Data
Temperature Coefficient (Pmax)	-0.38 % / °C
Temperature Coefficient (Voc)	-0.31 % / °C
Temperature Coefficient (Isc)	0.05 % / °C
Nominal Module Operating Temperature	42 ± 3°C

PARTNER SECTION



* The specifications and key features contained in this datasheet may deviate slightly from our actual products due to the on-going innovation and product enhancement. Canadian Solar Inc. reserves the right to make necessary adjustment to the information described herein at any time without further notice.

CANADIAN SOLAR INC.

Canadian Solar MSS (Australia) Pty Ltd., 44 Stephenson St, Cremoer VIC 3121, Australia
support@canadiansolar.com, www.canadiansolar.com/au