

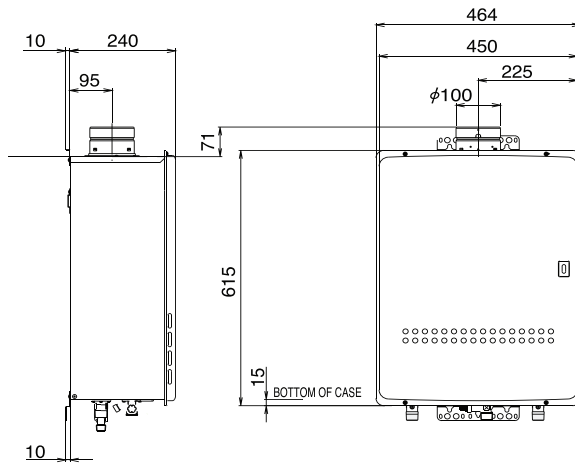
Bosch Gas Booster

Our gas boosted system provide your home with a continuous flow of hot water. Catering for small, medium and large homes, in natural gas and LPG compatible options. You'll have hot water at all times of the year at any time of the day.



Physical Dimensions

MODEL	BS21NG or BS21LP	BS26NG or BS26LP	BS32NG or BS32LP
Width (mm)	350	350	464
Depth (mm)	170	170	240
Height (mm)	520	600	615
Dry Weight (kg)	19	22	29



Technical Specifications

MODEL	BS21SNG or BS21SLP	BS26SNG or BS26SLP	BS32SNG or BS32SLP
GENERAL			
Gas Type	NG/LPG	NG/LPG	NG/LPG
Ignition	Electronic	Electronic	Electronic
Input Voltage Single Phase 50hz (V)	230 VAC - 240V 50Hz	230 VAC - 240V 50Hz	230 VAC - 240V 50Hz
Installation	External	External	Internal & External
Energy Rating (stars)	5.56	5.53	4.8
Hourly Gas Consumption (MJ/h)	170	200	250
Flow rate (25°C Rise) (L/min)	21	26	32
PIPE CONNECTION SIZES			
Inlet Gas Connection Male Thread	R3/4" (20mm)	R3/4" (20mm)	R3/4" (20mm)
Cold Water Connection Male Thread	R3/4" (20mm)	R3/4" (20mm)	R3/4" (20mm)
Hot Water Connection Male Thread	R3/4" (20mm)	R3/4" (20mm)	R3/4" (20mm)
WARRANTY			
Warranty (Parts)	3 years	3 years	3 years
Warranty (Labour)	3 years	3 years	3 years
Warranty (Heat Exchanger)	10 years	10 years	10 years